

<b>MASTER – TECHNICAL FEATURES</b>	<b>L1H1 SWB low roof</b>	<b>L2H2 MWB mid roof</b>	<b>L3H2 LWB mid roof</b>	<b>L3H0 Cab chassis LWB</b>
<b>VOLUME</b>				
	8.0m <sup>3</sup>	10.8m <sup>3</sup>	12.6m <sup>3</sup>	–
<b>TRANSMISSION</b>				
Type	Quickshift 6-speed	Quickshift 6-speed	Quickshift 6-speed	Quickshift 6-speed
Speeds @ 1000rpm: 1st gear	6.76	6.89	6.89	6.89
2nd gear	12.64	12.88	12.88	12.88
3rd gear	20.37	20.76	20.76	20.76
4th gear	28.97	29.52	29.52	29.52
5th gear	37.36	38.09	38.09	38.09
6th gear	44.27	45.12	45.12	45.12
<b>STEERING</b>				
Turning circle between kerbs (m)	12.07/12.48	13.17/14.11	15.20/15.68	15.20/15.68
Turns lock to lock	3.57	3.57	3.57	3.57
<b>WHEELS – TYRES</b>				
Wheels (inches)	6J16	6J16	6J16	6J16
Tyres	215/65 R16	225/65 R16	225/65 R16	225/65 R16
<b>WEIGHT (KG)</b>				
Tare Mass	1823	1902	1943	1656
Gross vehicle weight	3300	3500	3500	3500
Payload	1477	1598	1557	1844
Towing weight braked (driver only)	2000	2000	2000	2000
Towing weight unbraked (driver only)	750	750	750	750
<b>ENGINE – COMMON RAIL TURBO DIESEL</b>				
Capacity	2500cc	2500cc	2500cc	2500cc
Valves	16	16	16	16
Max. power (kW) @ revs/min	88@3500	88@3500	88@3500	88@3500
Max. torque (Nm) @ revs/min	300@1600	300@1600	300@1600	300@1600
Emission norm	Euro 4	Euro 4	Euro 4	Euro 4
<b>AXLE</b>				
Size of anti-roll front (mm)	26	26	26	26
Size of anti-roll rear (mm)	–	–	23	23
<b>BRAKING</b>				
	ABS/EBA/EBD	ABS/EBA/EBD	ABS/EBA/EBD	ABS/EBA/EBD
<b>FUEL CONSUMPTION</b>				
Fuel tank (litres)	100	100	100	100
Combined cycle (litres/100km)	7.9	7.9	7.9	7.9

## MASTER – PRODUCT FEATURES

EXTERIOR	
Side protection strips (except L3H0)	S
Rear bumpers (except L3H0)	S
16" wheels	S
Any weather tyres	0
Metallic paint	0
SAFETY – PREVENTION, CORRECTION & PROTECTION	
ABS with EBD (Electronic Brake Distribution) and EBA (Electronic Brake Assist)	S
Front driver airbag	S
Front passenger airbag	S
Height adjustable seatbelts with built-in pretensioners and load-limiters	S
Remote central locking	S
3 button key with selective opening	S
Alarm and engine immobiliser	S
VISIBILITY – LIGHTING	
Electric front 'one touch' window (driver's side)	S
Electrically adjusted dual vision door mirrors	S
Automatic headlamps and windscreen wipers (light and rain sensitive sensors)	0
Front fog lights	0
'See me home' headlamps	0
Rear heated window (except L3H0)	0
Rear-view mirrors with medium arm – 2.230mm (L3H0 only)	0
DRIVING	
Power-assisted steering	S
Dashboard mounted gear lever	S
Trip computer	S
Cruise control	S
Digital tachograph	0
Rear parking sensors	0
THERMAL COMFORT	
Front air conditioning and heating with 4-speed fan and air recirculation	S
Tinted front windows	S
SEATS AND INTERIOR	
Front 3-way adjustable driver's seat with armrest	S
Front two-seater passenger bench seat	S
Front fixed single passenger seat	0
Front adjustable single passenger seat	0
BULKHEADS, DOORS AND GLAZING	
Full steel bulkhead glazed (except L3H0)	S
Right body side unglazed (except L3H0)	S
Sliding side door unglazed – left (except L3H0)	S
Unglazed lateral body sides (except L3H0)	S
Rear glazed doors with 180° opening (except L3H0)	S
Full steel bulkhead (except L3H0)	0
Right body side glazed (except L3H0)	0
Sliding side door glazed – left (except L3H0)	0
Sliding side door unglazed – right (except L3H0)	0
Sliding side door glazed – right (except L3H0)	0
Sliding side door glazed with opening window – right (except L3H0)	0
Rear panel doors with 270° opening (only L2H2 and L3H2)	0
Rear glazed doors with 270° opening (only L2H2 and L3H2)	0
STORAGE	
Floor anchoring rings	S
Interior lighting	S
2 cup holders at each end of the dashboard	S
Driver/passenger door storage pockets	S

Over-cab storage area (2x5dm3)	S
Glove compartment	S
Side coat hooks	S
Expandable central document carrier + document clip (2dm3)	S
Loading area trimming	0
Anti-slip plywood floor	0
Increased GVM (except L1H1)	0

### SOUND

4x15W single CD radio with fingertip remote control	S
---	---

### TRIM

Blue Aztec cloth upholstery	S
-----------------------------	---

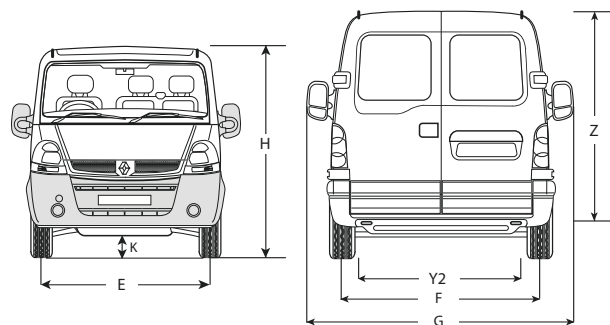
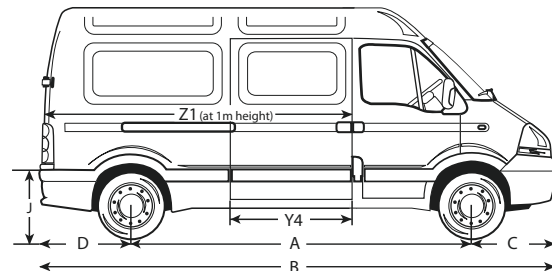
### WARRANTY

3 years / 100,000km	S
24 Hour Roadside Assistance	S

('S' = Standard equipment, '0' = Optional. Specifications subject to change without notice.)

**For conversions please refer to your dealer.**

All options are available on forward order only.



DIMENSIONS (MM)	L1H1	L2H2	L3H2	L3H0
A Wheelbase	3078	3578	4078	4078
B Overall length	4899	5399	5899	4869
C Front overhang	862	862	862	862
D Rear overhang	959	959	959	929
E Front track	1740	1740	1740	1740
F Rear track	1725	1725	1725	1725
G Overall width with door mirrors	2361	2361	2361	2361
H Overall height	2225	2486	2484	2199
J Step up height	543	540	537	–
K Ground clearance	191	214	229	229
Y2 Interior width between wheel arches	1282	1282	1282	–
Y4 Sliding side door entry width	1099	1099	1099	–
Z Maximum rear load height	1632	1874	1874	–
Z1 Load length	2634	3134	3634	–